

PROTECTIVE MEASURES

GRAPHIC TRAINING AID
GTA 09-12-001

GENERAL GUIDELINES

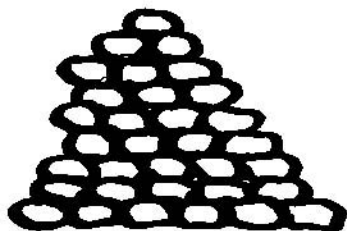
1. BUILD BARRICADE FAR ENOUGH AWAY FROM UXO SO IT CAN NOT FALL ON IT.
2. ALWAYS INTERLOCK SANDBAGS.
3. BUILD TALL ENOUGH TO DEFLECT FRAGMENTATION AND BLAST EFFECTS
4. UTILIZE THE MINIMUM NUMBER OF PERSONNEL.
5. UTILIZE ALL PERSONAL PROTECTIVE EQUIPMENT.

CONSTRUCTION OF BARRICADES SANDBAGS/ EARTH BERMS

FULL CIRCLE 105 MM AND SMALLER

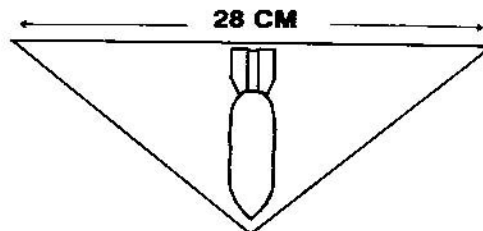
SEMI-CIRCLE..... 105 MM UP TO 8 INCH

WALL.....LARGE MISSILE AND BOMBS



GPO : 1995 O - 162-326

UNEXPLODED ORDNANCE (UXO) PROCEDURES



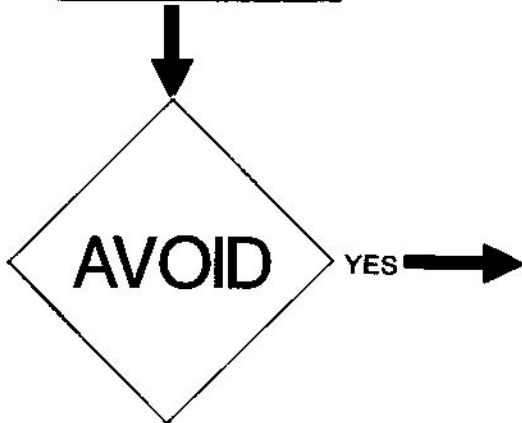
UXO MARKER

WHITE BOMB ON A
RED BACKGROUND

DISTRIBUTION: US Army Training and Audio-visual Support Centers (TASC)

DISTRIBUTION RESTRICTION: This publication contains technical or operational information that is for official government use only. Distribution is limited to US government agencies. Requests from outside the US government for release of this publication under the Freedom of Information Act or the Foreign Military Sales Program must be made to HQ TRADOC, Fort Monroe, VA 23651.

**IDENTIFY UXO
HAZARD**



YES

NO

**USE
PROTECTIVE ?
MEASURES**

UXO'S THAT THREATEN YOUR MISSION WILL REQUIRE ENGINEER OR EOD ASSISTANCE TO ELIMINATE. UXO REPORTS ARE USED TO REQUEST ASSISTANCE AND TO SET THE PRIORITY OF RESPONSE

SAFETY THOUGHTS

1. AVOID THE UXO HAZARD WHENEVER POSSIBLE.
2. SEND A UXO SPOT REPORT BY THE FASTEST MEANS AVAILABLE.
3. CLEARLY MARK THE UXO AREA.
4. PROTECTIVE MEASURES CAN SAVE LIVES AND EQUIPMENT.

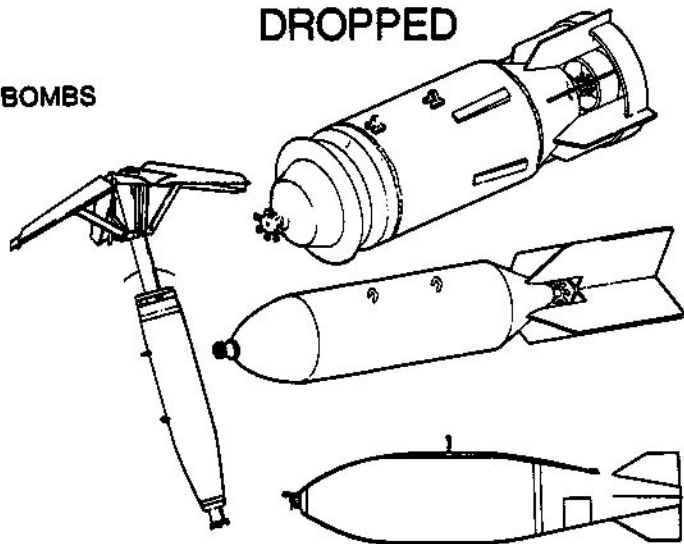
**MARK IT, REPORT IT
CONTINUE MISSION**

UXO SPOT REPORT

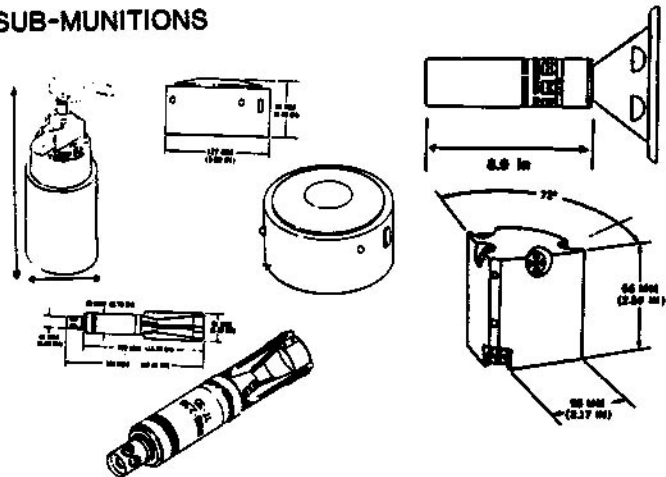
- LINE 1. DATE/TIME GROUP DISCOVERED
LINE 2. REPORTING ACTIVITY (UIC)
LOCATION (GRID)
LINE 3. CONTACT METHOD:
RADIO FREQ/CALL SIGN
TELEPHONE #
LINE 4. TYPE OF MUNITION
(DROPPED, PROJECTED, PLACED
OR THROWN)
LINE 5. NBC CONTAMINATION
LINE 6. RESOURCES THREATENED
LINE 7. IMPACT ON MISSION
LINE 8. PROTECTIVE MEASURES TAKEN
LINE 9. RECOMMENDED PRIORITY
(IMMEDIATE, INDIRECT, MINOR
OR NO THREAT)

BOMBS

DROPPED

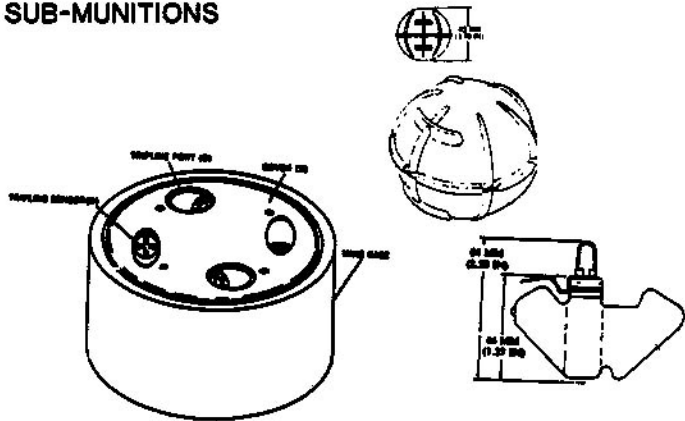


SUB-MUNITIONS

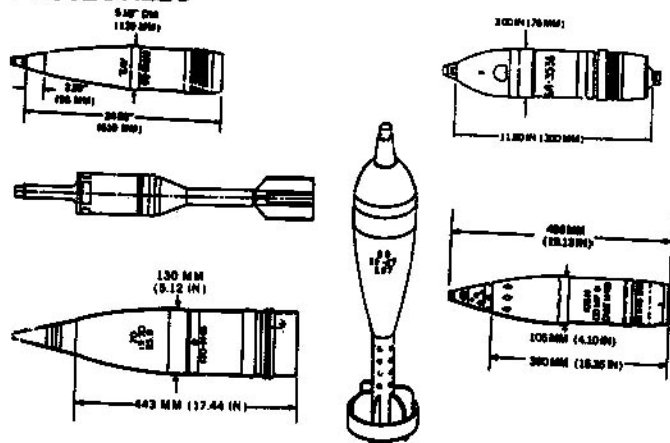


PROJECTED

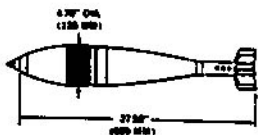
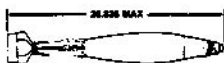
SUB-MUNITIONS



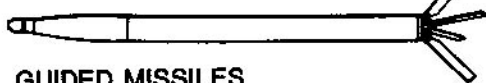
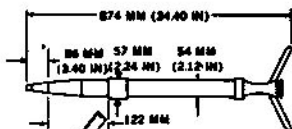
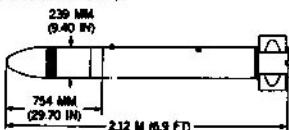
PROJECTILES



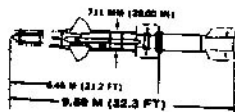
MORTARS



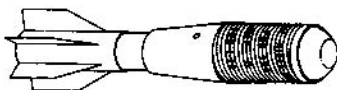
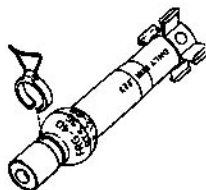
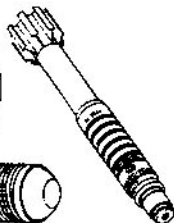
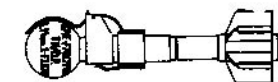
ROCKETS



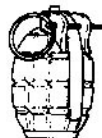
GUIDED MISSILES



RIFLE GRENADES



THROWN



PLACED

